

MELTING LIGHT Side tables

Designer: Frank Jiang
Year: 2018



DESCRIPTION

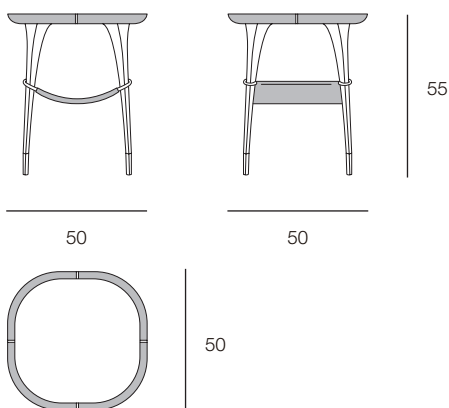
Melting Light side table with or without pocket. Wooden structure, finished in sand color walnut solid wood and veneer. Top insert in marble Azul Macauba. Leather application. Brushed gold metal details, also available with brushed bronze metal details. Also available without marble insert.

More wooden finishes, leathers and marbles are available in our samples books.

DRAWINGS

measures in cm

WITH POCKET



WITHOUT POCKET

